

GL-90-SC

90° Socket Contact Adapter Product Information



CORNING
Discovering Beyond Imagination

Broadband
Products

Connector Specifications

AC Power Rating:
15 amps Continuous

Return Loss:
>30 dB @ 1 GHz

The GL-90-SC adapter is part of Corning Gilbert's socket contact product series. This 90° adapter eliminates the inconvenience of seizure screws and access caps. The tin plated, high tensile strength contact provides a reliable and repeatable electrical connection for all mating pin diameters meeting SCTE IPS SP 501, "Recommended 5/8-24 Port - Male." The design provides high current carrying capacity and exceptional return and insertion loss characteristics through 1 GHz.



Materials and Construction of Connector Components:

ASTM 6262 aluminum alloy with gold chromate conversion coating for excellent corrosion resistance and a dry film lubricant to prevent thread galling

Contact pins are brass with bright acid tin plating providing excellent RF conductivity.

Socket contact is Beryllium Copper.

O-rings are ultraviolet and ozone resistant EPDM for maximum durability.

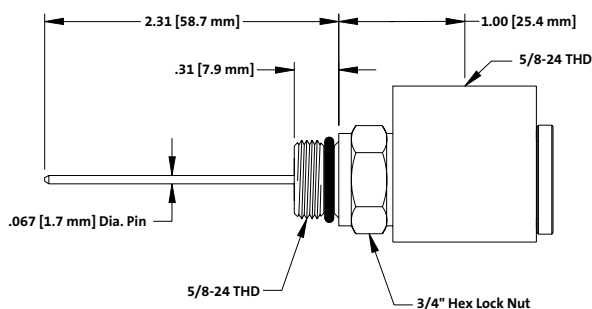
Product Features and Benefits

- Beryllium copper socket contact design accepts pin diameter from .065 to .075 in. [1.65 to 1.90 mm]
- Bright acid tin plated brass pin
- AC power rating: 15 amps continuous
- Return loss: >30 dB @ 1 GHz
- KS male and KS female ports meet SCTE interface practice standards

Ordering Information

Part Number

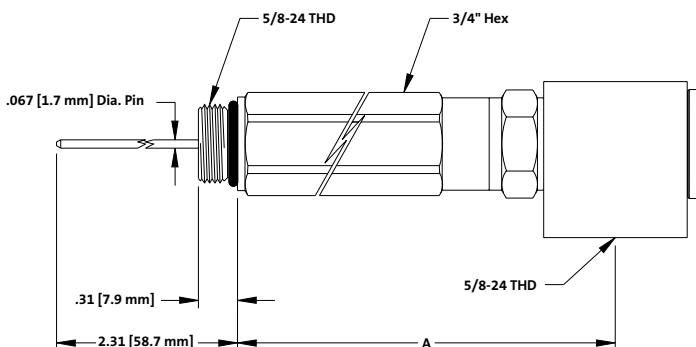
GL-90-SC-T



Part Number

A

GL-90-SC-w/1.5-T	2.46"
GL-90-SC-w/3-T	3.96"
GL-90-SC-w/4.5-T	5.46"
GL-90-SC-w/6-T	6.96"
GL-90-SC-w/9-T	9.96"



Corning Gilbert Inc.
Broadband Products

5310 W. Camelback Rd.
Glendale, AZ 85301 U.S.A.

phone: 800 528 5567 (U.S. and Canada)
(01) 623 245 1050 (International)

fax: 800 344 6358
623 931 0684
(01) 623 939 3538

website: www.corning.com/corninggilbert
e-mail: info-gilbert@corning.com